



Acuros[®] CQD[®] 640L USB3 eSWIR Camera

The Acuros[®] CQD[®] L-Series SWIR cameras feature large sensor area, low angular dependence and a short working distance for highly divergent emitters. Acuros cameras deliver high resolution, high dynamic range and very high detectivity imaging to 2000 nm.

The L-Series cameras are designed for use exclusively in laser beam diagnostics, laser beam imaging and laser alignment applications.

Specifications:

Electro-Optical Specifications:

Sensor	Acuros [®] CQD [®] sensor
Temperature stabilization	Single-stage thermo-electric cooler
Sensor array format	640 x 512
Resolution	0.33 megapixels
Spectral band	350 nm - 2000 nm
Array size	9.6mm x 7.7 mm, 12.3 mm diagonal
Pixel pitch	15 μm x 15μm
Max frame rate at full resolution	270 fps (8 bit), 180 fps (10, 12, 14 bit)
Pixel operability	99.9% typical, 99.75% min
Bit depth	8, 10, 12, 14 bit selectable
Integration type	Snapshot global shutter
Trigger	External TTL
Integration time	10 μsec to 4 sec
Dynamic range	65 dB typical
Windowing & windowing frame rate	Array centered. Scales inversely to window size
Laser beam fringeless operation	Yes
Binning arrays	2 x 2, 4 x 4
Non-uniformity correction	2-point non-uniformity correction
Temporal dark noise	65e ⁻ typical (high gain)
Quantum efficiency	See typical QE curve.

Features:

- Large sensor size
- Short working distance for highly divergent beams
- Low angular dependence
- Dynamic Range up to 70 dB
- Strong linearity
- VGA Resolution
- TEC Cooling
- Low noise
- GigE Vision
- Visible SWIR

Applications:

- Laser beam diagnostics
- Laser beam imaging
- Laser alignment



SWIR[®]

VISION SYSTEMS

Transforming Infrared Imaging

Specifications:

Environmental & power specifications, typical performance

Operating case temperature	-20 °C to +55 °C
Power consumption	6.5 - 12 W depending on TEC settings
Power supply voltage	6-16 VDC
Regulatory compliance	CE mark

Mechanical specifications

Dimensions excluding lens	6.1 x 6.1 x 13.2 cm (F-Mount), or 6.1 x 6.1 x 9.7 (M-42)
Weight excluding lens	594g with F-Mount, 508 grams with M-42 mount
Lens mounts	Standard mount. Inquire for other options.
Power connector	Hirose 12-pin, HR10A-10R-12PB (71)
Trigger connector	BNC

Software and user interface

Software development kit	Windows GUI & Pleora eBUS SDK (Linux, Windows, MacOS)
GenICam compliance	Yes
Interface	USB3 Vision

Export compliance

US export designation	EAR-99. No license required for lawful export
-----------------------	---

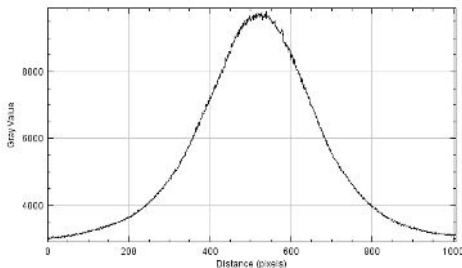
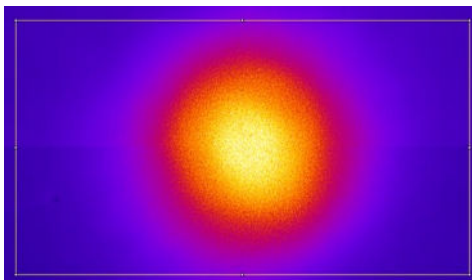
Ordering

Part numbers	Acuros-640-USB3-004
--------------	---------------------



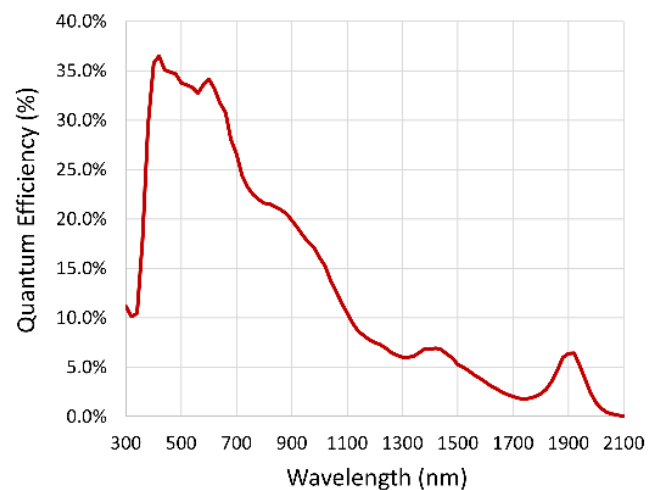
USB Vision Interface

Acuros CQD SWIR camera image of Laser



1550 NM Laser image and corresponding line file (false color added post image)

Typical QE Performance





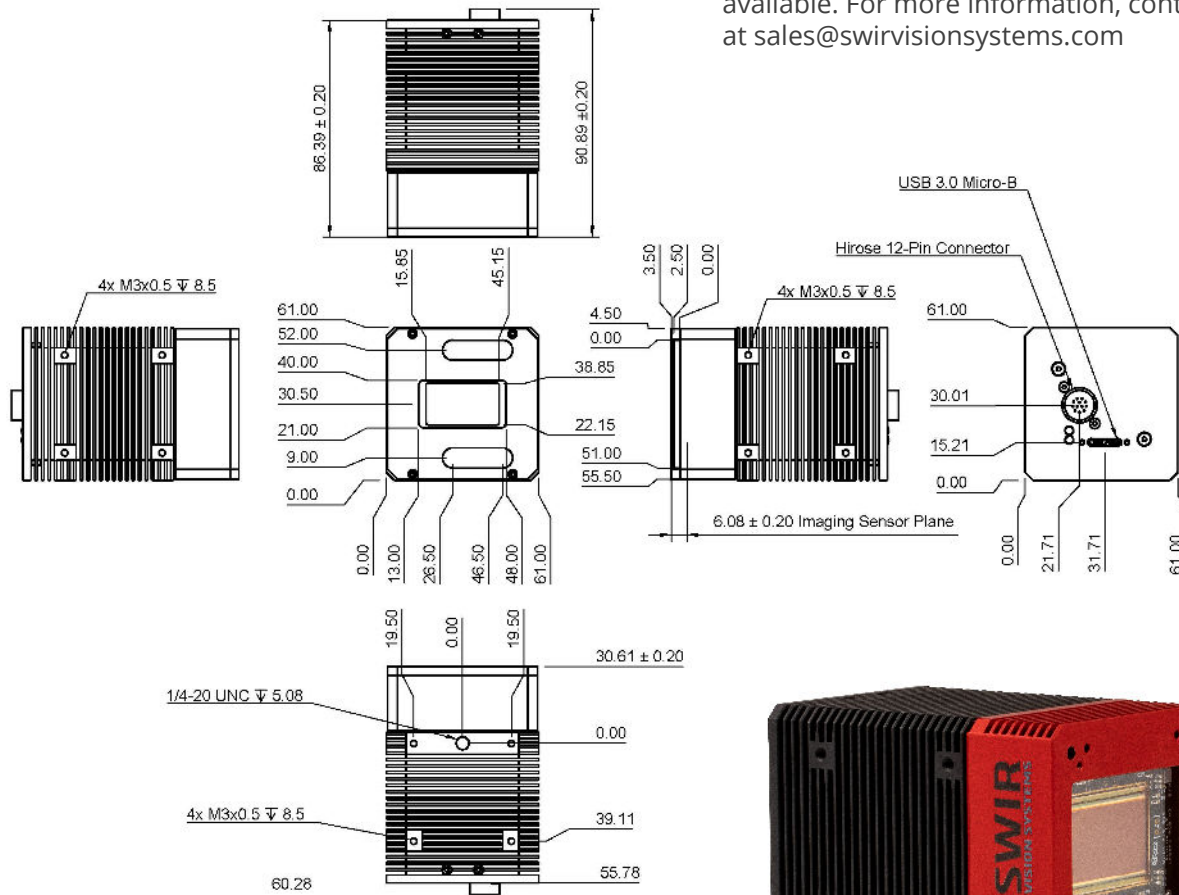
SWIR[®]

VISION SYSTEMS

Transforming Infrared Imaging

Mechanical Drawings

**Additional ND filter mounting options are available. For more information, contact us at sales@swirvisionsystems.com



Contact Us:

For technical, pricing, and sales information, or to learn more about Acuros cameras or CQD sensor technology, please contact us at:

sales@swirvisionsystems.com

+1 919.248.0032



GEN<i>i>CAM

GIG
VISION



Acuros-640-USB3-004

www.swirvisionsystems.com